

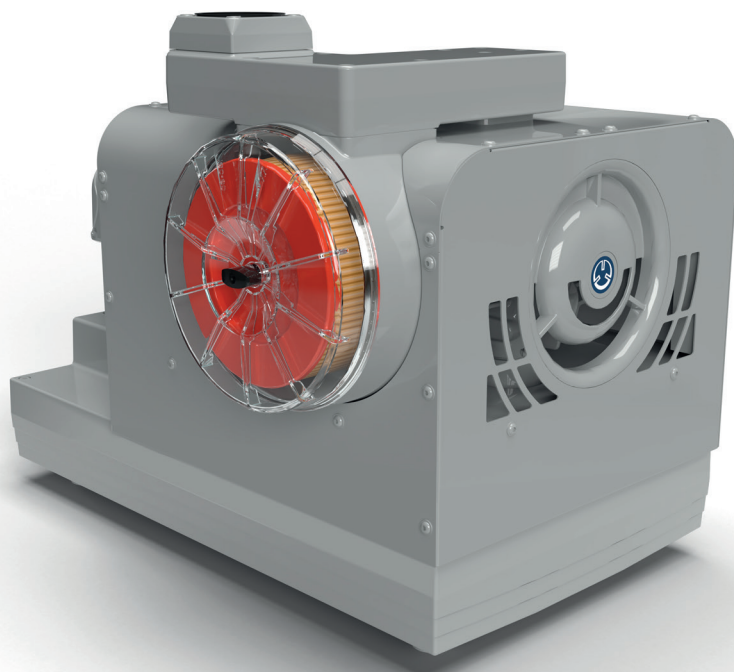
DATA SHEET

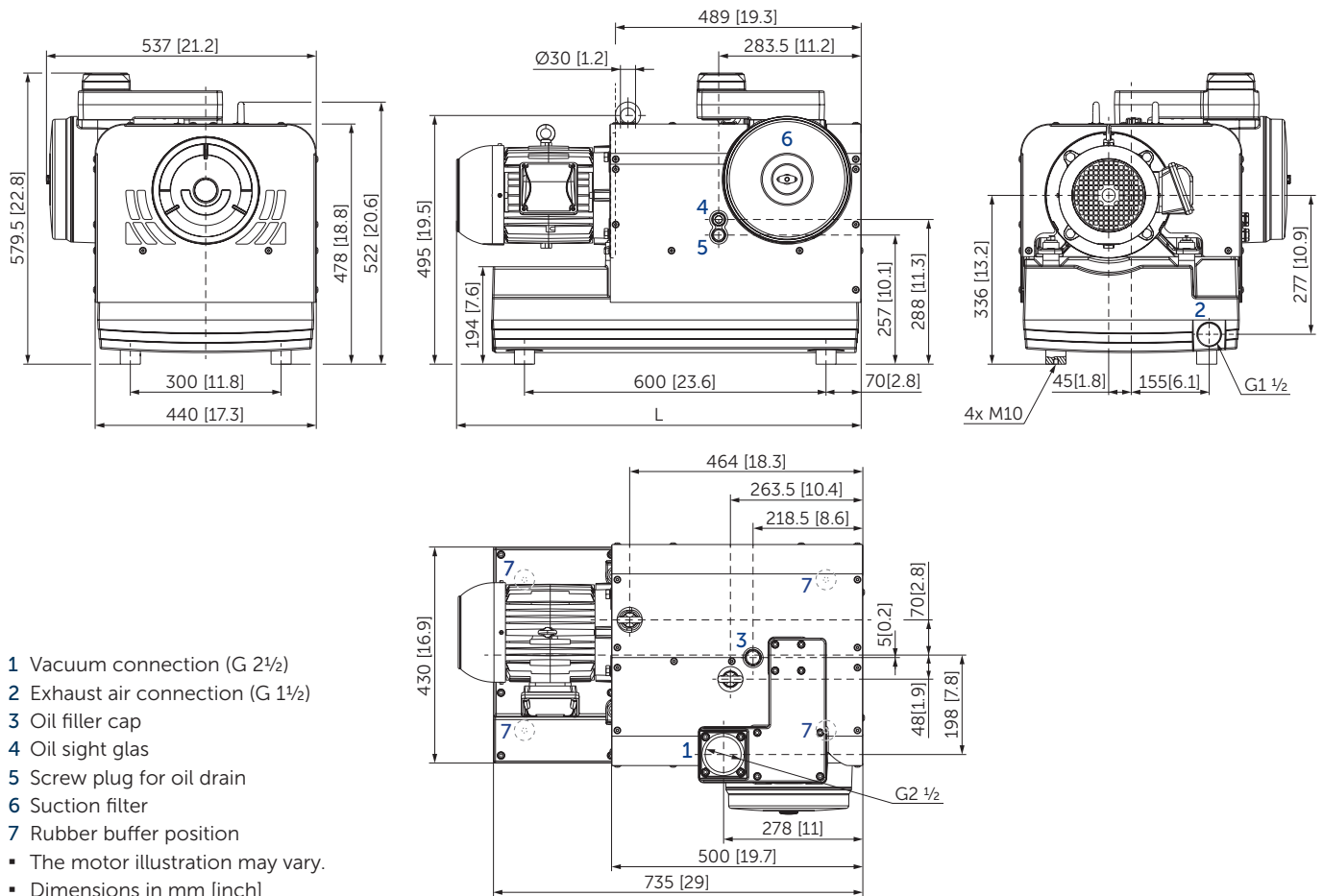
BCV 150

CLAW VACUUM PUMPS

dry and contact free compression
air-cooled

MAKE IT BECKER.



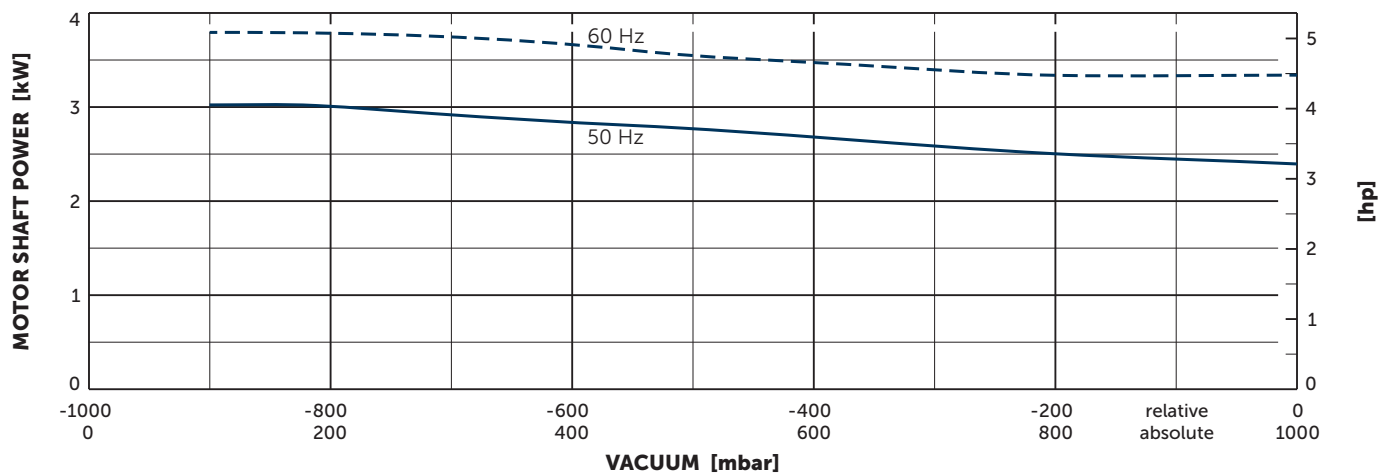
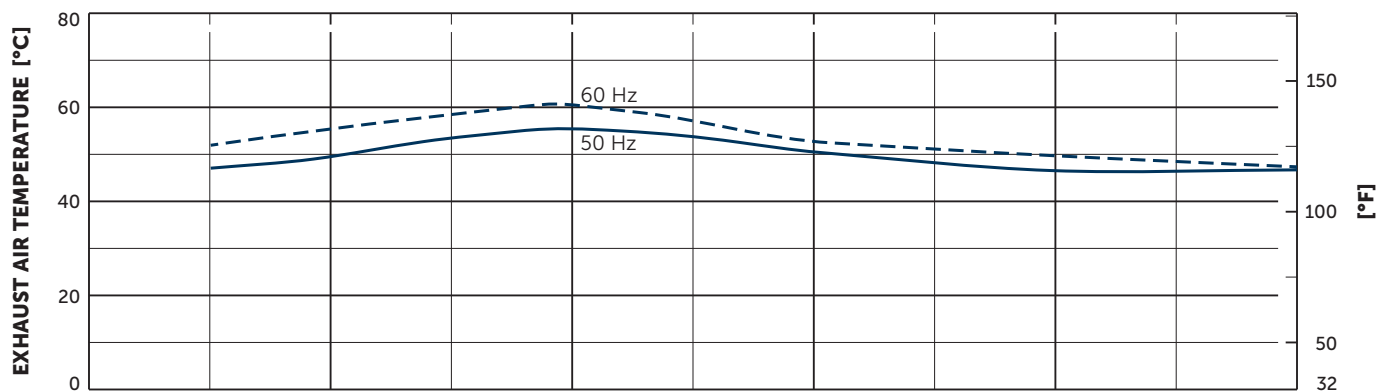
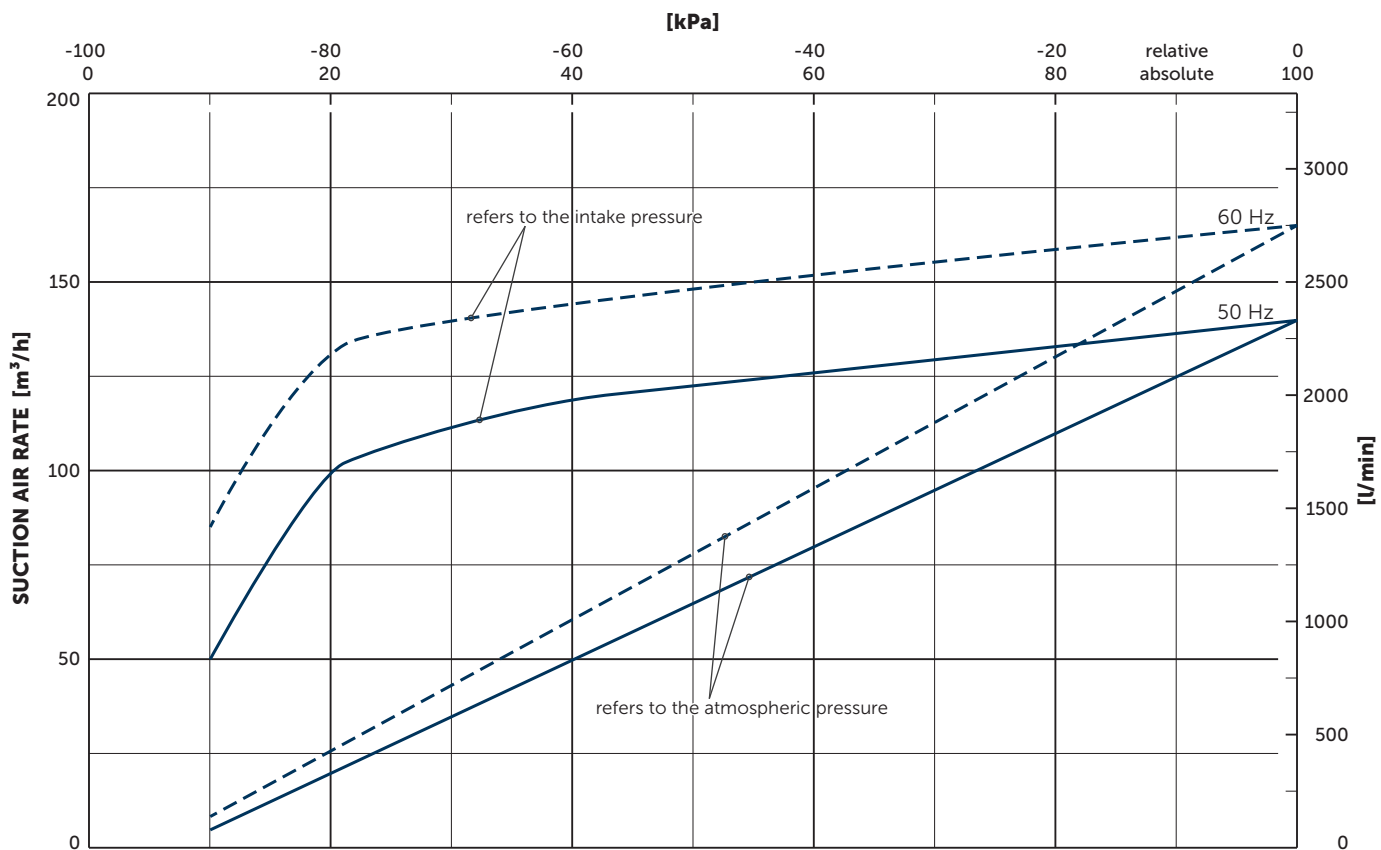


Nominal capacity		Vacuum absolute		Emission sound pressure level ¹⁾		Weight without motor
m ³ /h		mbar		dB(A)		kg
50 Hz	60 Hz	50 Hz	60 Hz	50 Hz	60 Hz	
150	180	100	100	67 (600 mbar)	71 (600 mbar)	156

3~ Motors													
#	50 Hz				60 Hz				Version	Weight kg	L mm [inch]		
	kW	V	min ⁻¹	A	kW	V	min ⁻¹	A					
01	3.0	Δ220/Y380	IE3	2900	10.3/5.95	3.0	Δ - /Y460	IE3	3520	- /5.01	UL(E104590) • CSA • CC029A IP55 • ISO F • PTC	34	805 [31.7]
		Δ230/Y400	IE3	2910	10.0/5.77								
02	4.0	Δ230/Y400	IE3	2910	13.2/7.59	4.0	YY230/Y460	IE3	3520	13.5/6.75	UL(E104590) • CSA • CC029A IP55 • ISO F • PTC	45	823 [32.4]
						4.0	YY208/Y -	-	3500	14.6/ -			
03	4.0	Δ290/Y500	IE3	2910	10.5/6.08	4.0	Δ332/Y575	IE3	3525	9.47/5.47	UL(E104590) • CSA • CC029A IP55 • ISO F • PTC	44	823 [32.4]
04	3.0	Δ200/Y346	IE3	2935	12.3/7.1	3.6	Δ200/Y346	IE3	3500	13.2/7.63	UL(E104590) • CSA • CC029A IP55 • ISO F • PTC	38	847 [33.4]
							Δ220/Y380	IE3	3520	12.4/7.19			
							Δ - /Y400	IE3	3525	- /6.99			

¹⁾ According to DIN EN ISO 11203, accuracy class of measurement: class 2, extended measurement uncertainty: 3 dB
 1 m [39.4 inch] distance, at medium load, both connection sides piped

- Current consumption and rotation speed may vary. Tolerance in each case -1.5/+2%



Reference data (atmosphere): 1000 mbar (100 kPa), 20°C (68°F)
 Tolerance: ±10%



MAKE IT BECKER.